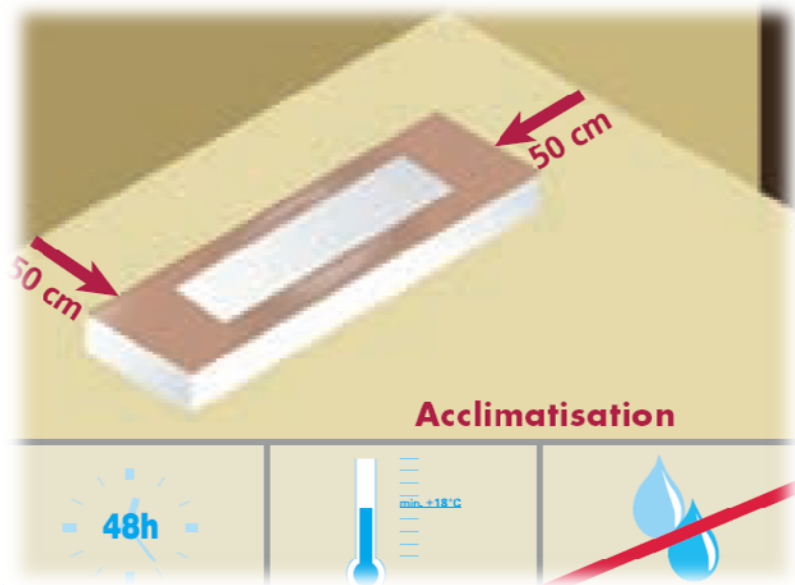


elka

designer floors for living

7MM Installation instructions



Acclimatisation:

The sealed packs must be stored for 48 hours in the room where they are to be laid under the following conditions:

- Unopened, sealed packs
- Flat on the floor with a least 50 cm space between packs and walls
- Room temperature $> + 18^{\circ}\text{C}$
- Floor temperature $> + 15^{\circ}\text{C}$
- Relative air humidity between 40% and 70%

Do not open packs until you are ready to install the boards!

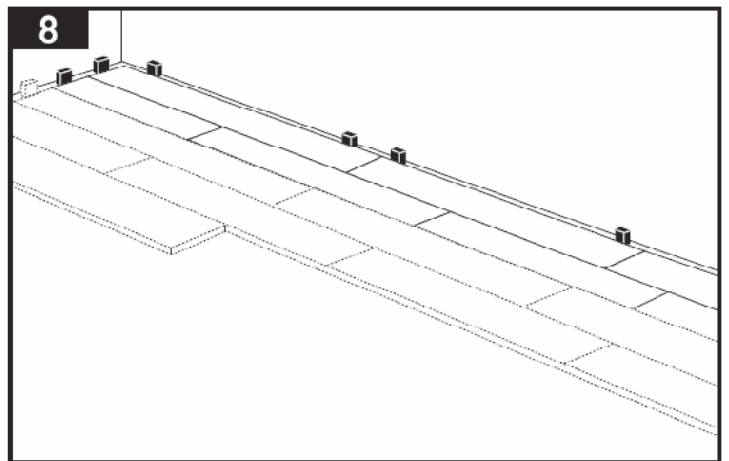
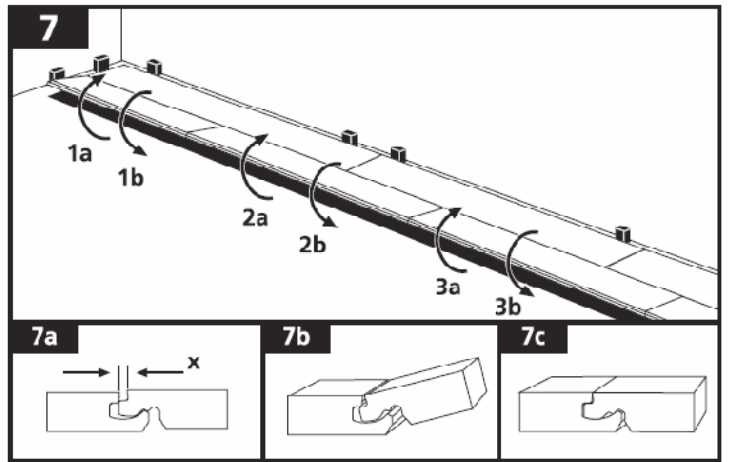
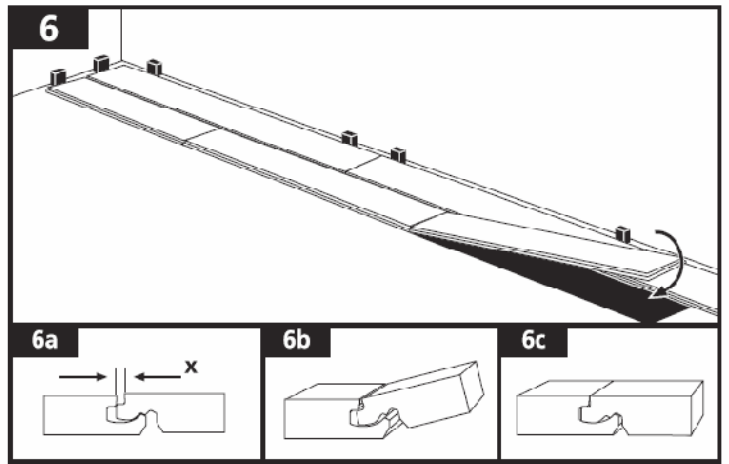
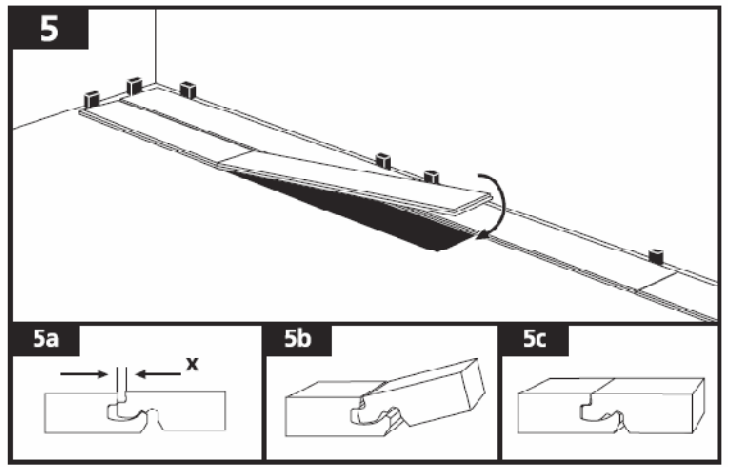
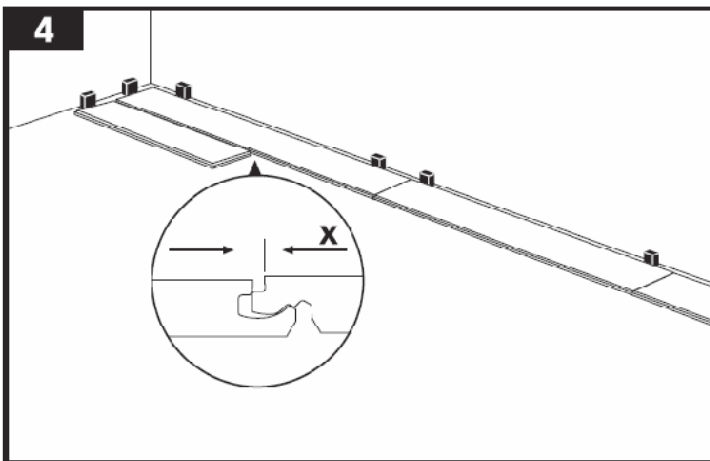
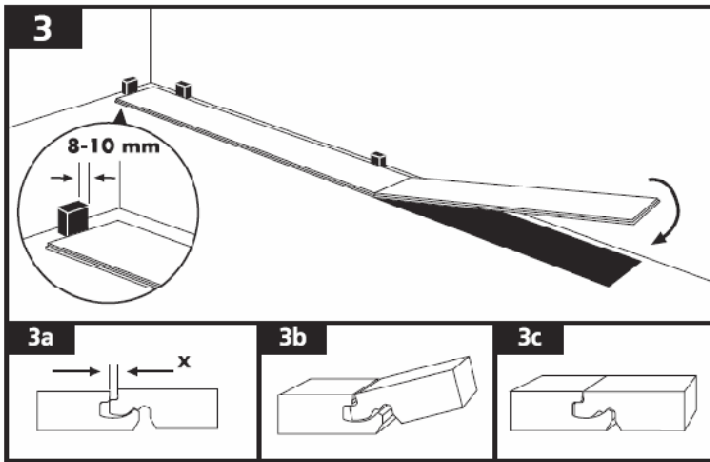
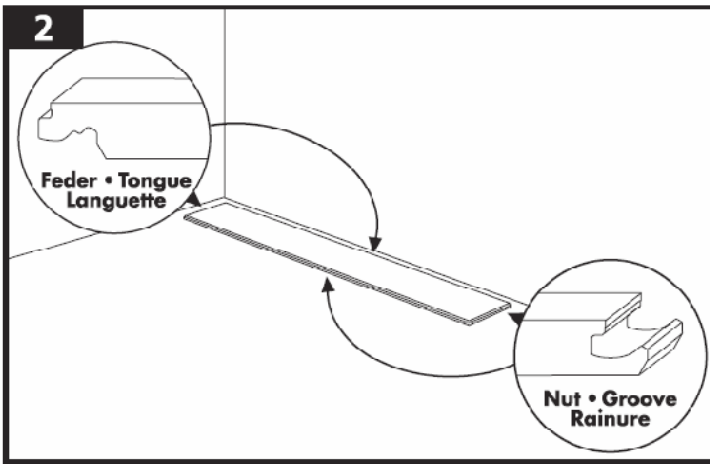
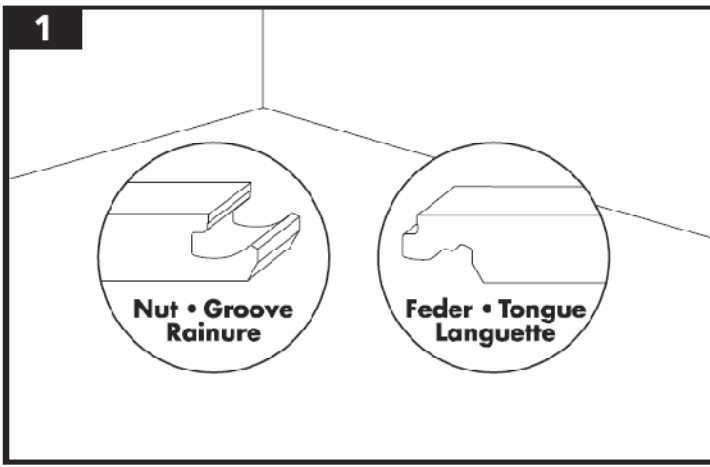
Laminated floorings are not suitable or guaranteed for installation in areas subject to a high degree of moisture, for example: bathrooms.

Elka
Unit 4, "The Furrows"
Barton Dock Rd.
Trafford Park,
Manchester
M32 0SZ

tel: 028 30 250477

fax: 028 30 250223

email: info@elka.co.uk



Before laying

Climatic conditions:

The climatic conditions in the room need to be maintained before, during and after laying according to the conditions see "Acclimatisation" (room temperature > + 18 °C (64°F), floor temperature > + 15 °C (59°F), relative air humidity between 40% and 70%).

Sub-floors:

All sub-floors must be prepared for installation in accordance with normal subfloor preparation procedures and to accepted tolerances within the flooring industry.

Check the sub-floors to see if they specifically meet the following requirements:

- Moisture
- Even: max. 4 mm tolerance per meter (1/6" per 3 feet)
- Stable and of sound condition
- Clean

Apart from screeds, PVC, linoleum, rubber and wooden sub-floors are perfectly acceptable, as long as the above conditions can be met.

Laminated flooring can also be laid on top of hot water under floor heating. For a special instruction leaflet regarding installation of laminated flooring on top of under floor heating systems, please contact your supplier.

Sub floor types which are NOT suitable: Carpet

Sub floor types which are limited suitable: Electrical radiant sub floor heating systems (controlled through the surface temperature).

Explanations and limitations for the use of electrical radiant sub floor heating systems:

Basically, an electrical radiant sub floor heating systems is an approved sub floor type only if the heating element is installed within the concrete or other sub floor and not installed as a foil heating element on top of the concrete or other sub floor.

Attention - the surface temperature may never exceed 28°C (83°F)!

Electrical radiant sub floor heating systems installed as a foil heating element may be used only if it can be ensured through the manufacturer of the heating element that the surface temperature never exceeds 28°C (83°F). Standard electrical foil heating systems generate at extreme temperature variations surface temperatures of way more than 28°C (83°F). Based on this reason, they are not suitable as a sub floor construction.

Basic rules for laying

- A 0.2 mm (8 mill) damp proof membrane must be placed over the full area of all screeded and stone floors. Strips must overlap by at least 20 cm (8") directly under the joints.
- We recommend the use of a sound-proofing underlay. The strips should not overlap.

With products which have an impact and room sound insulation incorporated, it is not necessary to have an additional insulating underlay. (The incorporated underlay does **not** replace the PE foil on stone sub-floors!)

- Laminated flooring should always be installed as a floating floor system.
- Boards must not be fixed to the sub-floor in any way (nailing, screwing, bonding).
- Short joints should be staggered by a minimum of 200 mm (8").
- Always allow for expansion gaps of 8 – 10 mm (1/3" - 2/5") between the floor and all walls, units etc.
- In all doorways, throughways and single rooms larger than 10 m (33 feet) in length and/or width additional expansion gaps must be allowed for at these points and covered with an expansion profile.

The installation

1. Check all panels for possible damages/defects.

Ensure you understand the difference between the tongue and the groove on the panel (Fig. 1). Begin installing the first row from the left-hand corner of the room with both tongue sides of the panels (Fig. 2) pointing towards the wall. Place spacers between the edges of the flooring panels and the walls to provide the correct space for expansion (Fig. 3). Connect the second panel to the first by placing the interlocking end of the new panel at an angle to the previously installed panel and then lower it into a horizontal position to lock (Fig. 3a to 3c).

2. Mark the last panel in the first row to the required length (place tongue to tongue) and cut. Start the second row with the off cut from the last panel of the first row. Always make sure the off cut is at least 200 mm (8") long, if not then cut another piece which is greater than 200mm long. Start all subsequent rows with the off cut piece from the previous row.

Attention! Ensure all the short ends are staggered at least 200 mm (8"). If you install panels with a bevelled edge and/or you want to achieve a special pattern (e.g. checker-board with tiles), please make sure that you stagger the short ends according to the bevel and/or your pattern idea.

3. When the first row has been installed, start the second row with the off cut piece from the first row or with a panel which has been cut to follow the course of the bevel and/or to achieve a special flooring pattern. Place the tongue of this piece on the lower protruding lip of the first panel of the first row (see picture 4) and connect all other panels of this row with their short sides – as described above (see pictures 5 and 6) – until you have arranged the complete row. Afterwards all short sides of the panels in this row are adjusted and connected with each other.

Slightly raise the first panel or panel section and connect its long edge with the first row. Continue to do so until you have connected the whole row with the previously laid row (see pictures 7 and 8). Pay attention that the panels are not displaced along the short sides.

4. You can now continue to lay board after board, row after row.

5. In order to mark the last row of boards for scribing, take the new board and place it exactly on top of the row before last. Using an off cut of a board (element width + edge joint width) it is possible to transfer the wall profile to the board within a pre-chosen distance.

Laying in commercial areas of classifications 31, 32 and 33

In commercial areas of these classifications you have to anticipate extraordinary exposure to moisture. Therefore additional sealing with the specially designed sealing glue is recommended in these areas. Apply the sealing glue to the top of the tongue on the short and long edge. The glue should ooze out along the complete long and short edge after the panels have been joint together. It is easy to remove excess sealing glue from the surface either immediately, or after a short drying period.

Attention! Make sure that there is no gap in the flooring joints under the sealing glue.

Door Jamb Installation:

If you have a wooden door jamb, we recommend undercutting the wooden door jamb according to the thickness of the flooring plus the possible underlayment. Install the flooring now underneath the door jamb – leave the necessary expansion gaps.

In the case you should end your installation underneath a door jamb, we recommend to remove the locking part of the protruding groove of the already installed panel with a utility knife or a pocket plane. The newly laid panel can now be pushed horizontal over the groove of the previous laid one. Use PVAc flooring glue on top of the tongue to secure the connection.

If you have a door jamb which cannot be shorted, e.g. metal door jamb, we recommend to cover the expansion gaps with moldings or to fill them with elastic acrylic sealants.

Fitting around pipes:

- Measure the position of the pipes and mark it on the panel (allow for edge joint).
- Drill a hole at least 16 mm (5/8") wider than the diameter of the pipe.
- Saw towards the holes at a 45° angle.
- Fit and glue the sawn piece in place.

After laying

- Attach felt protection pads to the legs of the furniture.
- Ensure heavy furniture is lifted when being moved.
- Furniture and chair castors should be of the "soft" castor type.
- Never submit your floor to wet cleaning – only use a damp cloth.
- Do not use abrasive cleaning materials.
- Do not sand or wax the floor.
- Contact your supplier for a more comprehensive guide to cleaning and care.

For further information please visit WWW.ELKAFLOORING.COM